

# Steering Wheel Lock Fitting Instructions

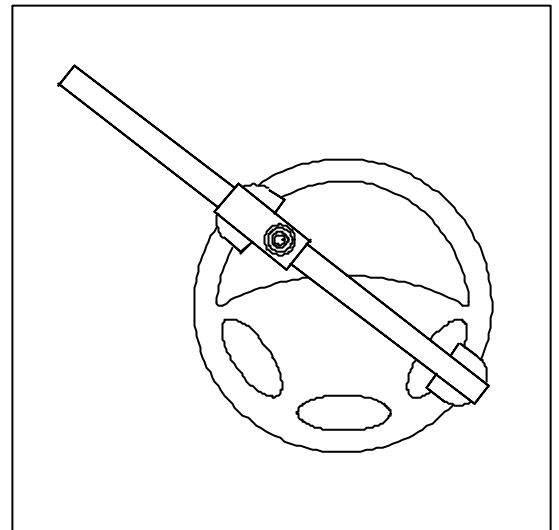
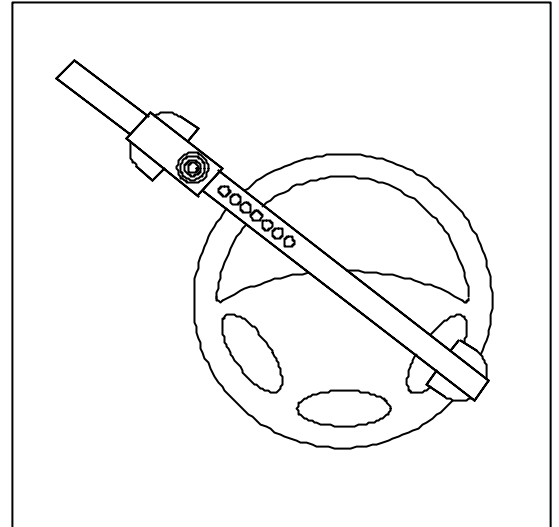
## FITTING

1. Place the bottom hook anywhere inside your steering wheel.
2. Place the other hook inside the opposite side of your steering wheel, and slide out as far as possible.
3. Then simply snap shut the lock and your Bulldog Steering Wheel Lock is securely fixed in place.

If you have any problems fitting the Bulldog Steering Wheel Lock then please call 01952 728171.

## REMOVAL.

**IMPORTANT.** To remove the Steering Wheel Lock, insert key, rotate 1/2 turn, pull on key until lock pulls or pops out.



We have taken every care in the design and manufacture of this security device and we believe that it is an effective deterrent. However we cannot guarantee that it will resist the efforts of the most determined thief, and as such we do not accept any liability for loss or damage caused by theft, vandalism or other illegal activity against property to which this device is fitted.

### **Lock Lubrication.**

**IMPORTANT** - To ensure free movement of the lock, spray outside of lock body with WD40 (or equivalent) minimum every four months.

### **Key Security. Enter your key number here:**

**IMPORTANT** - Your Bulldog product is supplied with two keys. Make a note of your personal key number in the space provided above and **keep it in a safe place.** Should you lose your keys, replacements can only be obtained from the manufacturer through your dealer.