

700 Series TECHNICAL DATA

The 700 Series Panic & Emergency Exit Hardware range is non-handed and Certified to EN1125 & EN179. The range has been certified for doors up to 2500mm high and 1300mm wide and is available with Traditional Style Bolts.

The units are available with a 30mm or 19mm bolt throw, which have + or - 5mm of adjustment and are operated by a 22mm lever handle or cross bar. The range can also be made secure using the Locking Box or Rim Deadlock.

The product has been successfully used in a Burglary Resistance Test LPS 1175 Level 4.

Maintenance

It is important that all a panic and emergency exit hardware devices are inspected and maintained properly to ensure safety is maintained when exiting a building in any situation.

Once the device is fitted regular maintenance is recommended.

Weekly:

- Make sure the Exit Device functions correctly.
- Any fixings that have worked loose should be re-secured
- Any damaged components should be replaced.
- Ensure there are no obstructions which prevent the panic unit from functioning correctly.

Every three months:

- Check for wear, any visible worn components should be replaced.

Fixing / Installation

Installation instructions are supplied with all the Exidor Panic and Emergency Exit Hardware. Provided the instructions are followed and the units are fitted by a competent person the Exidor range will offer a high degree of safety and security. No responsibility can be accepted by the manufacturer if the installation instructions are not followed.

In order to meet the CEN European Standards the door and frame should be of good quality and suitable to support the hardware.

Make sure that any weather strips or fixings on the door or frame do not interfere with the opening and closing of the door.

All bars and shoots are cut to the exact size on site and each is supplied with loose end plugs and caps. Unless specified all the Exidor range is supplied with all the necessary fixings for timber frames and doors, however for alternative fixings for steel doors please contact the manufacturer or your supplier.

Construction

The main body and slave unit for the 700 Series uses a Steel Strap for the construction of the bodies with the arms and front face manufactured from cast steel. Steel is also used for internal components, shoot ends, shoot bolts and guides.

The Outside Access Device is manufactured from Cast Stainless Steel and is fitted with a 45mm Grade 4 Euro Profile Security Cylinder.

Passivate Protection

The passivate process gives extra protection to the steel components and is recommended when the product is to be used in harsh conditions, such as outside gates, around swimming pools or coastal areas

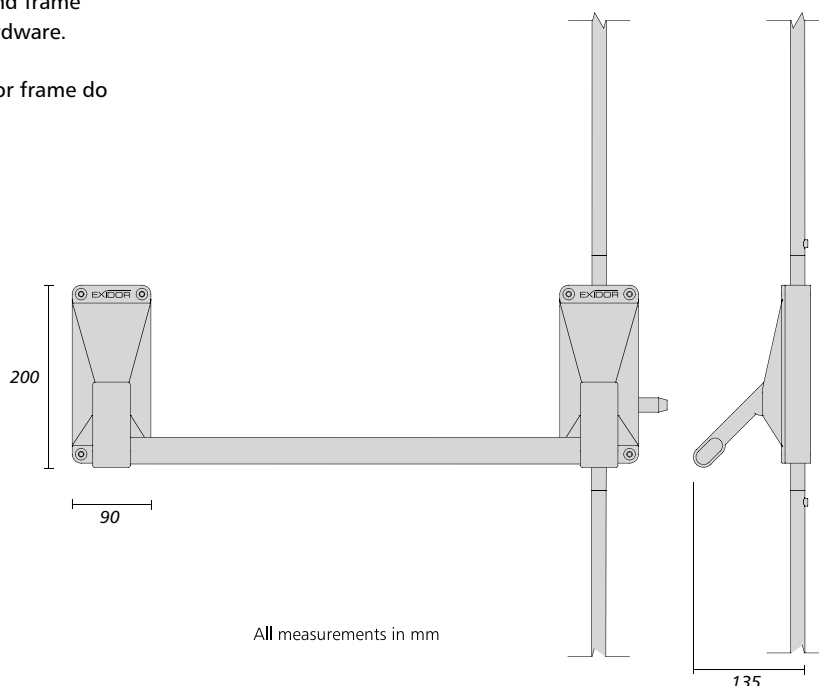
Standard Sizes

Standard sized units are suitable for doors up to 2440mm high and 1220mm wide. The shoot bolts and cross bars can be cut down on site to suit the door height and width.

Non-Standard Shoot Bolt Lengths

For larger doors above 2440mm height special size Top Shoot Bolt lengths are available up on request. The following lengths are stocked by Fred Duncombe Ltd.

- 1210mm for doors up to 2400mm high (Standard size supplied)
- 1600mm for doors up to 2680mm high
- 2100mm for doors up to 3180mm high



700 Series TECHNICAL DATA

Technical Parts List - 700 series

1. Oval Push Bar
2. Top Shoot Bolt
3. Bottom Shoot Bolt
4. Guide
5. Top Trip Assembly
6. Bottom Guide
7. Bottom Socket Plate
8. Push Bar Mechanism Unit
9. Push Bar Slave Unit
10. Lever Handle Mechanism Unit
11. 4th Locking Point Shoot Tube
12. Top Shoot End Stud
13. Bottom Shoot End Plug
14. Slave Unit Arm Assembly
15. Mechanism Unit Arm Assembly
16. Lever Handle Assembly
17. Oval Push Bar End Plugs
18. Top Trip Plate



CROSS BAR UNITS
 EN1125 : 1997 + A1 : 2001
 Classification No.
 3 7 6 0 1 3 2 1 A

LEVER HANDLE UNITS
 EN179 : 1997 + A1 : 2001
 Classification No.
 3 7 6 0 1 3 4 1 A

