

ACTpro 100

Single Door Expander

ACT

Access Control Technology

Product Overview

The ACTpro 100 door expander works in conjunction with the ACTpro 2000 and ACTpro 3000 two door controllers and facilitates the expansion of the controller from two to a maximum of sixteen doors. Each ACTpro 100 unit allows for the addition of one extra door and is surface mounted. The ACTpro 100 door expander has a durable polycarbonate housing and is suitable for indoor use only.



ACTpro 100

Features include:

- Single door expander for ACTpro 2000 and ACTpro 3000 controllers
- Maximum of 14 ACTpro 100 door expanders to each ACTpro 2000 and ACTpro 3000
- Programmable inputs and outputs
- Auxiliary relay output
- Requires 12 Volt DC supply
- Supports entry/exit readers

Installation / Specification Guidelines

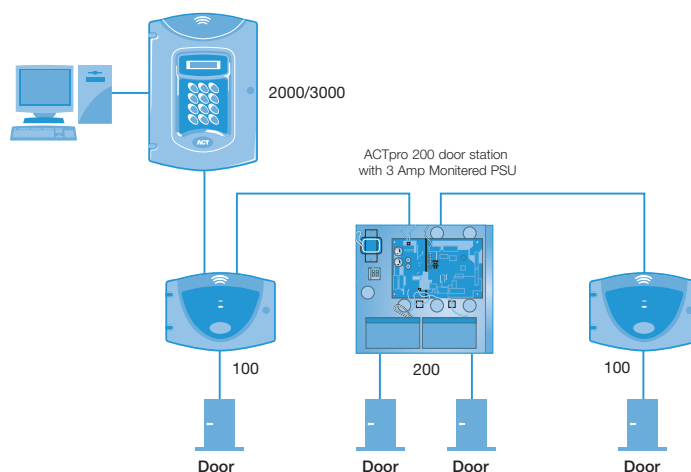
- For indoor use only
- The ACTpro 100 is compatible with all versions of ACTpro 2000 and ACTpro 3000 controllers
- Maximum of 14 ACTpro 100 door expanders to each ACTpro 2000 and ACTpro 3000 controller
- ACTpro 200 and ACTpro 100 may be connected on the same network

Cabling Chart

| From | To | Cable | Restriction |
|-------------------------|------------------|--|------------------------------------|
| Reader | Controller | 8 core screen | 30m at 5 Volts 100m at 12 Volts |
| ACTpro 100 | ACTpro 2000/3000 | Twisted screen pair Belden 9502 or equivalent or Cat5 | Maximum 1.4km |
| ACTpro 2000/3000 | PC Direct RS232 | Twisted screen pair Belden 9502 or equivalent or Cat5 | Maximum 30m |
| Network RS485 Interface | PC | Cable supplied | Maximum 30m |

Product Specification

| | |
|------------------------|-------------------|
| Operating Voltage: | 12V DC |
| Consumption: | 40 / 120 mA |
| Weight: | 414 grams |
| Operating Temperature: | -10 to +50 C |
| Dimensions (HxWxD): | 110 x 190 x 60 mm |
| Mounting: | Surface |
| Installation: | Indoor |



ACTpro 2000/3000 controllers and ACTpro 100 expanders require a 12 volts DC supply

Ordering Information

ACTpro 100 Door Station ACTpro 100

ACTpro 100 Schematic

For details of the ACTpro 200 please see overleaf