



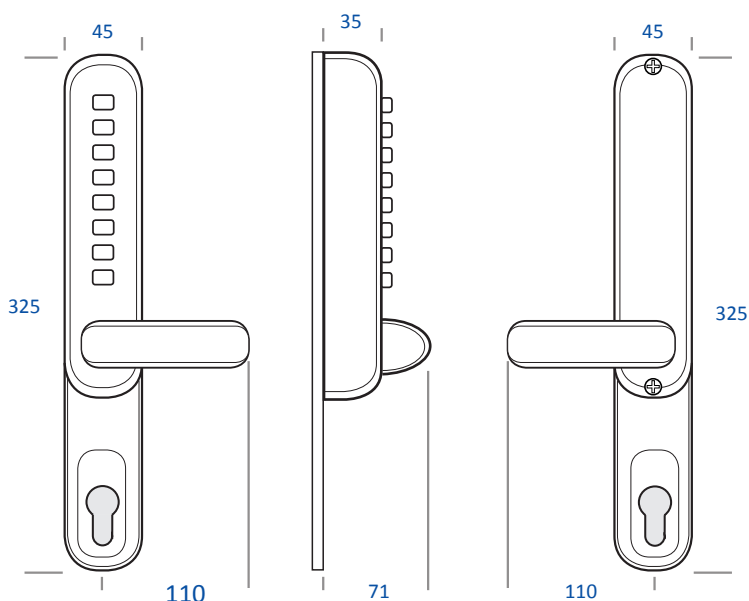
The new **6000 Series** is available in two main models; the BL6000M which is supplied with a separate escutcheon allowing it to work with a range of third party lockcases, latches as well as a large majority of multi-point locks.

The BL6100 model incorporates an extension plate fitted behind the keypad and inside handle making it suitable for use with 90 & 92mm centred multi-point locks and covers virtually all existing holes in the door.

The BL6100 offers a perfect retro-fit upgrade from a standard set of lever handles for PVC or composite doors; fitted using the existing fixing centres the unit can be adapted to suit a number of different locking centres.

Features

- Suitable for use with 90 & 92mm centre multi point locks
- 325mm extension plate fitted behind both keypad & inside handle to cover any existing holes
- 70° handle rotation ideal for multi-point locks
- Over 2100 different code combinations
- Free turning handle until the correct code is entered
- No tumbler or pins to remove to change code
- 195mm fixing centres
- Optional free passage Function
- Narrow housing perfect for PVC, aluminium, composite or wood
- Tested to over 100,000 cycles
- Suitable for external applications



6100 Model Keypad

6100 Model Inside Handle