

## CK100 Motorized Cabinet Lock Operation Manual

### Specifications and Wiring Diagram (Polarity free)

### CK100 Series

Operating Voltage	12~28VAC/DC
Voltage Tolerance	±15%
Current Draw	Holding: 69mA/12VDC · 69mA/24VDC Pull in: 165mA/12VDC · 165mA/24VDC
Operating Temperature Range	-10°C~+45°C
Humidity	0~95%
Operating Mode	Fail-Secure
Material	Polyamide

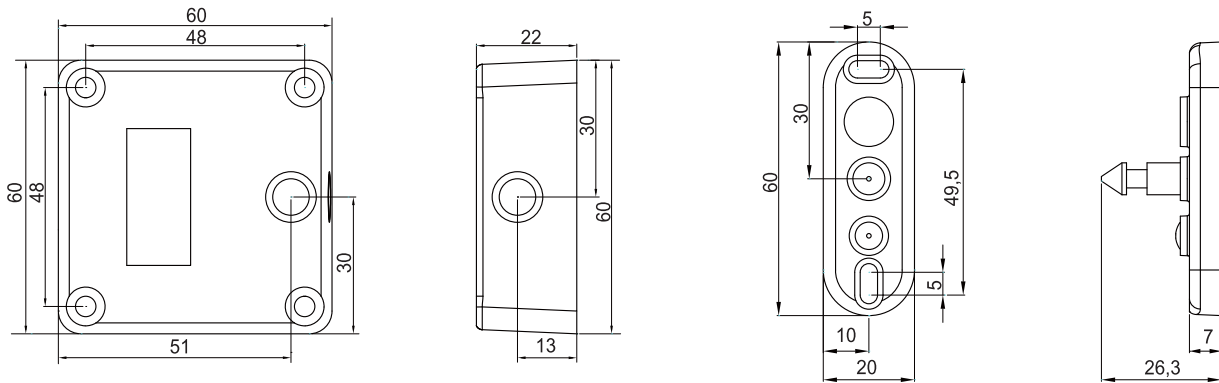
CK100 Motorized cabinet lock, fail-secure type is half the size of adult's palm.

It includes bond sensor and door status output to let the users easy recognize the current situation. "Motor and spring" feature, pushes door open and it does not get stuck.

It can be installed to closets, lockers and small filing cabinets, etc.

The CK100 provides full voltage application in 12~28 VAC/VDC and it consumes little power without causing any power burden, it is most suitable for places with a large number of lockers and drawers such as gyms or offices.

Unit:mm



### Applications



Illustration 1 & 2

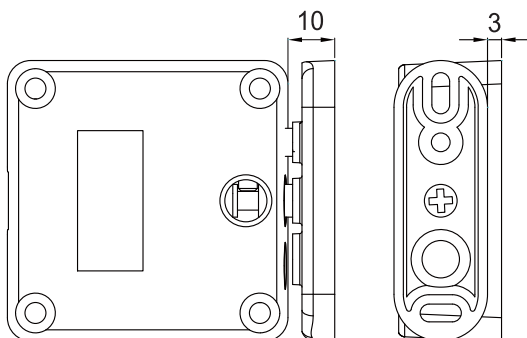
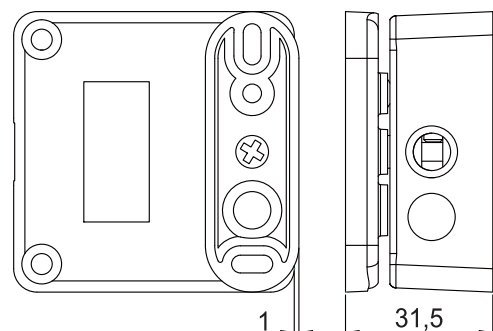
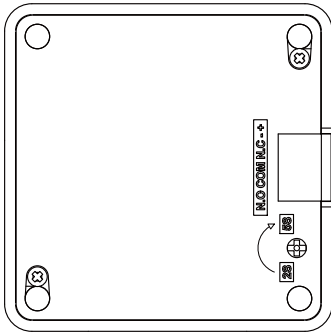



Illustration 3



## Wiring Diagram

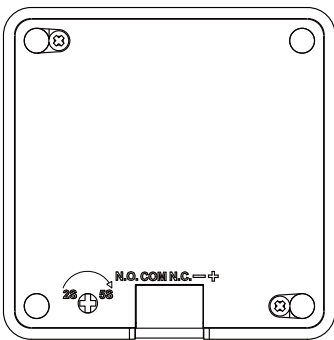


Lock Bolt Sensor Switch Output :SPDT Relay Rating: 1A/125VAC

Red ——— Relay Control Contact: (eg: Reader) ———  + Power 12~28VDC/AC  
 Yellow ——— M Bond Sensor Contact Output (When door locked)  
 Green ——— DS Door Status Contact Output (When door closed)  
 Blue ——— DS Door Status Contact Output (When door closed)

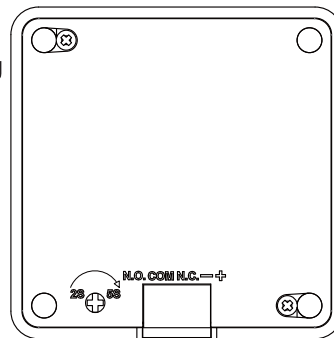
Relocking Time Delay (2S~5S)

## Relock Time Delay



Turn the timer to left, the relocking time delay is sets 2 seconds.

Suitable for 90 degree weight less door.  
The controller time delay must be set for 5 seconds.



Turn the timer to right, the relocking time delay is sets 5 seconds.

Suitable for drawer type door or weighty door.  
The controller time delay must be set for 8 seconds.

## Door Status Installation Position:

