

AL150 ELECTRIC RIM STRIKE

DOOR LATCH POSITION

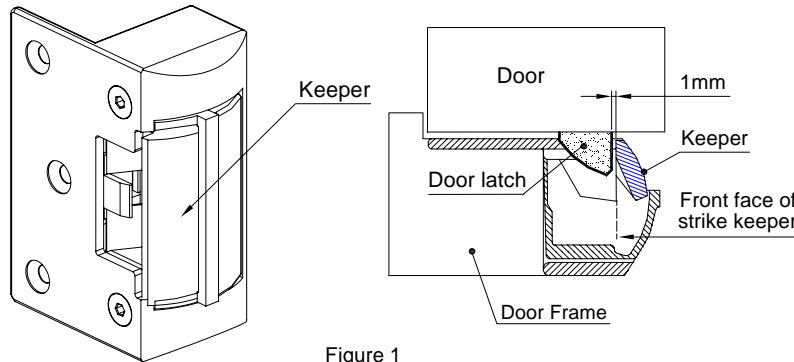


Figure 1

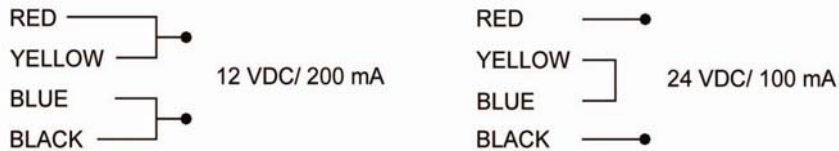
As shown in Fig.1, there should be a 1mm gap between the door latch and the front face of strike keeper to prevent the door from exerting pressure on the keeper when door is closed.

MOUNTING STEPS OF STRIKE

- 1). Position the strikes against the frame, mark and drill the hole sizes as shown on Figure 2 and 3.
- 2). Drill cable exit hole on door frame.
- 3). Make sure electrical connections are followed correctly.
- 4). When the door is closed, ensure that there is no pressure on the front face of strike keeper.

POWER INPUT 12 VDC or 24 VDC SUPPLY:

Note: There's no polarity on power input, AL150 is not equipped with DSS sensor.



DSS (Door Status Sensor) BLACK (COM) BLUE (NO) ORANGE (NC)
DSS contact rating: max. current 100 mA, max. voltage 30 VDC

INSTALL ON TIMBER DOOR FRAME

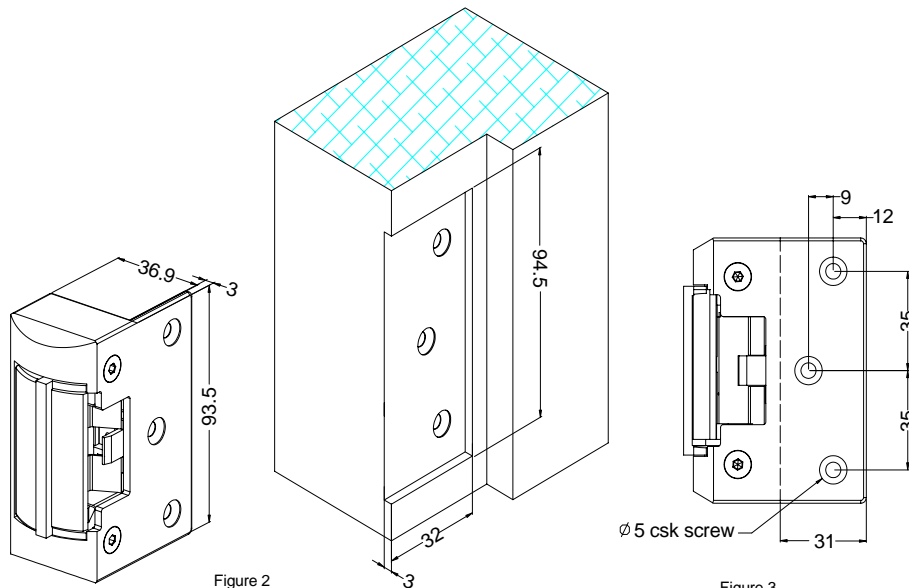
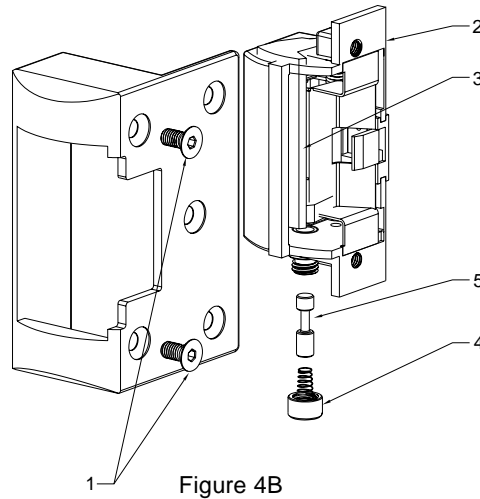
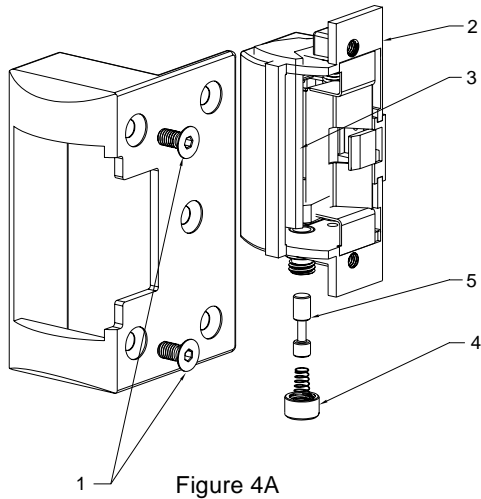


Figure 2

Figure 3

CONVERSION:

POWER TO LOCK <=> POWER TO OPEN



WARNING: Do not press on the keeper to release when the spring screw is not totally secured in position, this will cause damage to the spring barbell.
When changing function, micro switch will spring out.

Procedures to convert Power to Open (Figure 4B) to Power to Lock (Figure 4A):

- Step 1: Remove the two cover plate screws.
- Step 2: Remove the lock body from the cover housing.
- Step 3: Remove the spring screw from the end part of the strike body.
- Step 4: Remove the Barbell and replace in reverse position with long part in and short part out.
- Step 5: Replace the spring screw.
- Step 6: Refit the lock body into the cover housing and screw in the two cover plate screws.

Procedures to convert Power to Lock (Figure 4A) to Power to Open (Figure 4B):

- Step 1: Remove the two cover plate screws.
- Step 2: Remove the lock body from the cover housing.
- Step 3: Remove the spring screw from the end part of the strike body.
- Step 4: Remove the Barbell and replace in position with short part in and long part out.
- Step 5: Replace the spring screw .
- Step 6: Refit the lock body into the cover housing and screw in the two cover plate screws.

IEC Limited Harwell Rd Nuffield Estate Poole BH17 0BD Great Britain

Registered in England 1925537



T 01202 676262
F 01202 680101
E info@alpro.co.uk
W www.alpro.co.uk