

Unlock Module Interface



The CL3660UM Unlock Module provides a pair of dry contacts which can be set to 'normally open' or 'normally closed' dependent upon the application of the product/operational needs.

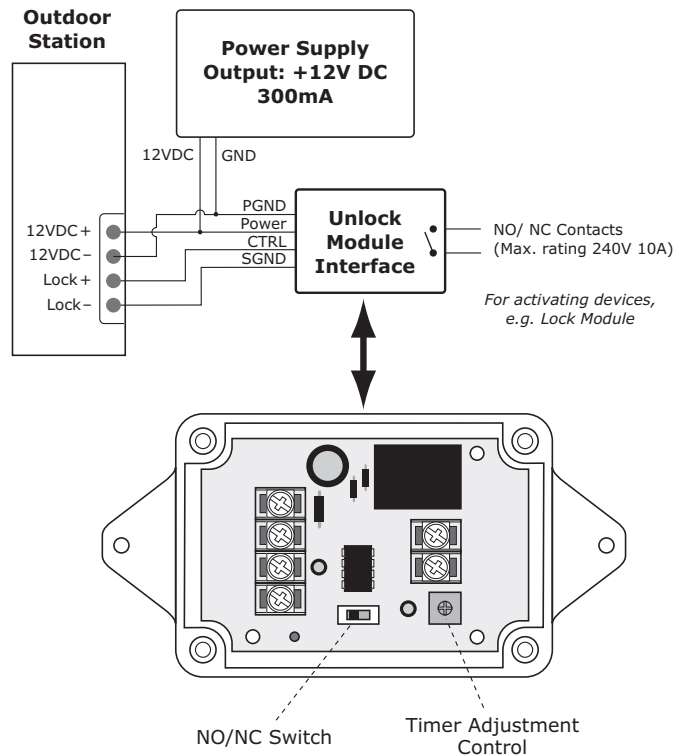
Note: The Unlock Module Interface does not provide power for a door lock module, or any other external device. These will need to be powered separately.

Installation Instructions

1. Remove Cover Plate.
2. Wire as shown in the diagram opposite*.
3. Trigger duration can be set to between 1 second (minimum) and 10 seconds (maximum) based on operational needs. Turn timer adjustment control anti-clockwise to reduce the trigger duration and clockwise to increase duration.
4. Test, following the operating instructions below and adjust trigger duration if required.
5. Replace Cover Plate and mount Unlock Module Interface in the desired location.
6. When using an external power supply unit to power the outdoor station, the batteries inside the outdoor station must be removed before connecting the power supply.

Operating Instructions

1. To activate the Unlock Module during a conversation over the intercom on the CL3662 depress the  key on the handset, for the CL6011 depress the  key on the handset.



* **Note:** this diagram supersedes that shown in the Door Intercom System instruction manual.