

Product Information Sheet

Cig-Arrête Remote Alarm Indicator (Part No CSA-RAI)



Description

The Cig-Arrête Remote Alarm Indicator is designed to operate directly from the auxiliary output of the controller. Irrespective of the power supply to the system, the aux output provides a 5Vdc output (max 3mA) which is then used to provide a high output tone via the CSA-RAI for remote location signalling.

Manufactured from brilliant white plastic, the aesthetic housing provides an excellent acoustic chamber to provide tone outputs in noisy areas.

Installation Details

Remove the batteries or power supply from the Cig-Arrête® main controller and connect the remote sounder to the remote output of the Cig-Arrête® main controller as shown in the diagram above. Replace the batteries and your installation is complete.

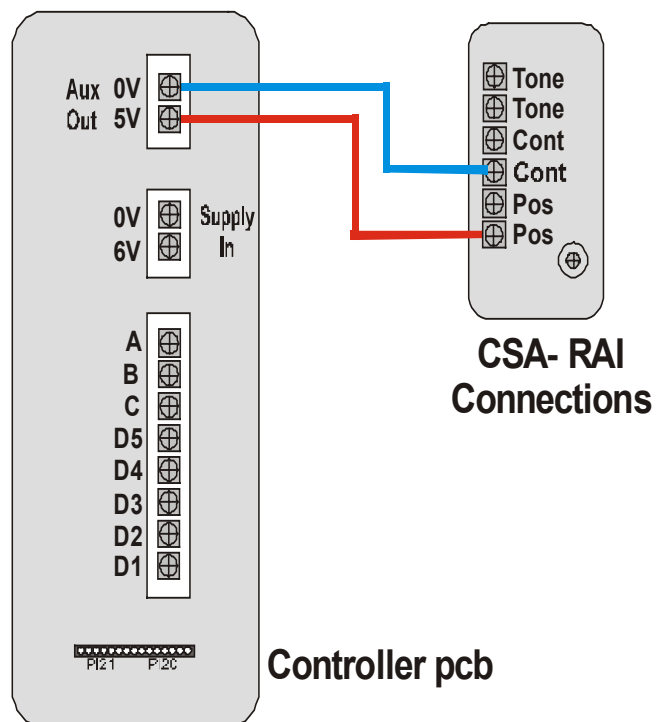
Designed to operate specifically with the Cig-Arrête® Smoke Alarm System, the CSA-RAI electronic sounder operates within the 800/ 100Hz-frequency range.

This high efficiency sounder produces a substantial output at 5Vdc for a minimal current drain.

Supply Voltage	5 Vdc
Supply Current	<1mA at 5Vdc
Sound Output	88dBA at 1metre
Volume Control	On sounder pcb
Protection	P65

Always ensure that nib on mounting base aligns with cut-out on sounder body.
Always ensure correct polarity.

Wiring Diagram



Innovation for a new tomorrow

