

FEUV 2000 Fyreye Ultra-violet Flame Detector



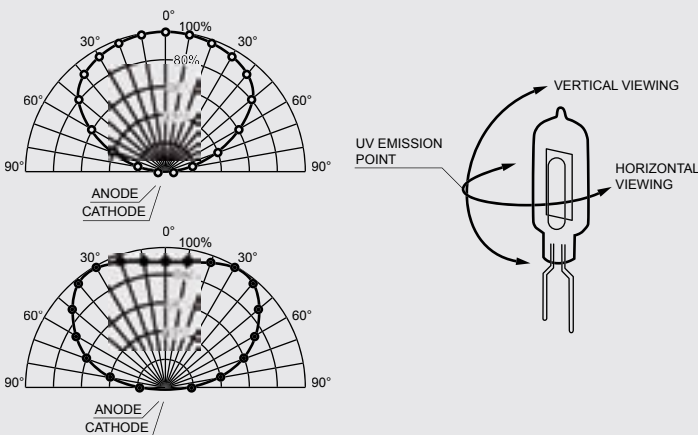
The FEUV2000 is the replacement for the ZTFD101 flame detector, that fits the standard fyreye bases.

The detector is particularly suited in applications where flames can be expected to develop initially rather than smoke, due to the nature of the materials being protected. EG Camera film, computer/audio/video tapes/disks

The detector is for indoor use only, and should not be exposed to spurious sources of UV, such as sparks, uncovered halogen lights, lightening etc, because these could give a false alarm.

Because of the nature of operation of flame detectors, it is generally recommended to fit just one detector per zone.

HORIZONTAL & VERTICAL DETECTOR FIELD OF VIEW



SPECIFICATIONS

MODEL	FEUV2000
PART NO	80-045
INPUT VOLTAGE	12-28 V DC
QUIESCENT CURRENT	320 μ A
OPERATING TEMPERATURE	0° C to 45° C
MAX WIND SPEED	NOT AFFECTED
STORAGE TEMPERATURE	-25° C to 80° C
ALARM CURRENT	45-50 mA
DETECTION ANGLE	120°
UV SENSITIVITY	185 - 260 nm
RESPONSE TIME	10 sec for 30mm flame @ 4 metres
SIZE (WxHxD mm)	98 X 98 X 36
WEIGHT	85 g
BASE	FE-CB, FE-DB