

# SSG Power Supply

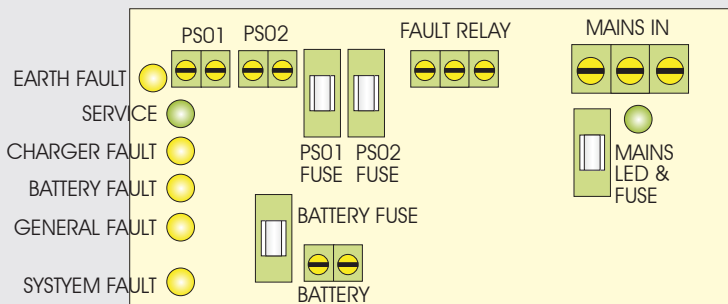


The SSG is the latest 24 volt power supply from GLT Exports Ltd. It utilises switch mode technology and is designed to the following standards:-

- EN54 PART 4
- UL1950
- TUV EN 60950
- EMG EN55022
- IEC100-4-2,3,4,5
- IEG 1000-3-2

It is housed in an attractive steel enclosure with space for up to 2 x 17AH SLA batteries. It has top & rear cable entries.

It is available in 3 sizes, 1.5 Amp, 2.5 Amp & 5.0 Amp, and has front panel indications for Power, Mains Fault, Low Battery Fault, and General Fault. Other indications are shown internally.



## SPECIFICATIONS

MODEL	SSG15	SSG25	SSG50
PART NO	46-200	46-205	46-210
INPUT VOLTAGE	90-264V AC @ 47-440Hz		
OUTPUT VOLTAGE	27V DC PROTECTED		
POWER RATING	45W	65W	130W
EFFICIENCY	80%		
POWER SUPPLY OUTPUT	2		
MAX CURRENT PER OUTPUT	630mA	1.0A	2.0A
BATTERY CHARGING CURRENT	300mA (7Ah) / 600mA(17Ah)		
FAULT RELAY RATING	1 AMP @ 24V DC		
IP RATING	IP 23		
ENCLOSURE SIZE	300W x 410H x 97D (mm)		