

ZT-CP2 Conventional Call point



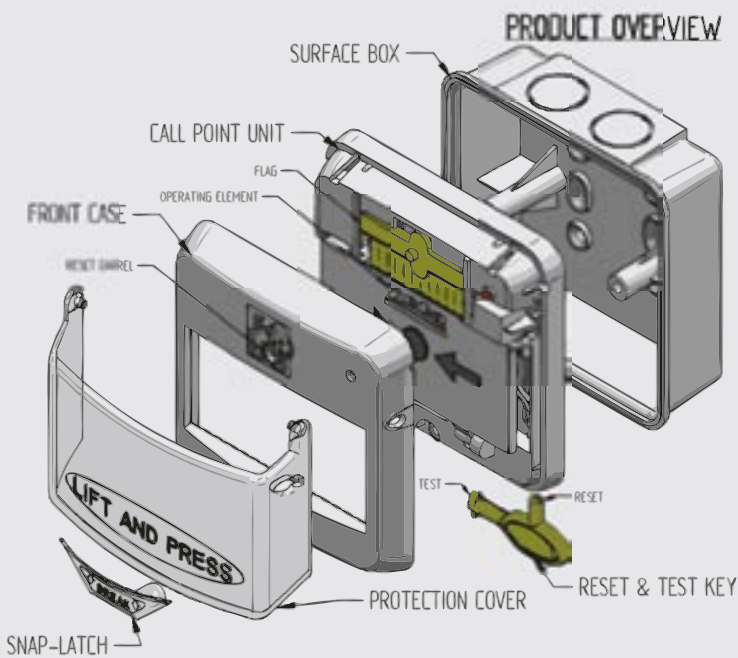
Complies with EN54 Part 11

The ZT-CP2 is the latest conventional call point from Zeta Alarm Systems. It has a modern design, and has been built to EN54 part 11.

It is a resettable call point that signals an alarm with a yellow flag entering the window area, and a red alarm LED.

It is available in 2 versions The CP1 version does not have the Perspex protective cover. The CP2 version has the protective Perspex cover as well as a “SNAPLATCH” catch that needs to be broken off before the call point cover can be lifted. This acts as a deterrent to malicious activations, and allows double action activation

Red is the recommended colour, but white is available for when architectural requirements demand.



SPECIFICATIONS

MODEL	ZT-CP2	ZT-CP2/W	ZT-CP1
PART NO	43-300	43-314	43-301
INPUT VOLTAGE	9 -33V DC		
ELEMENT TYPE	RESETTABLE		
QUIESCENT CURRENT	0 mA		
ALARM CURRENT	Typical 35 mA (Max 51 mA)		
ALARM LOAD	470 OHM RESISTOR		
ALARM ACTIVATION	BREAK SNAPLATCH, LIFT PERSPEX, PRESS ELEMENT		PRESS ELEMENT
COLOUR	RED	WHITE	RED
ALARM FLAG COLOUR	YELLOW	RED	YELLOW
OPERATING TEMP.	-20 °C to 50 °C		
MAX. HUMIDITY	95% RH N/C		
IP RATING	IP 43		
SIZE (WxHxD mm)	111 X 100 X 67		105 X 100 X 58
WEIGHT	198 g	198 g	175 g